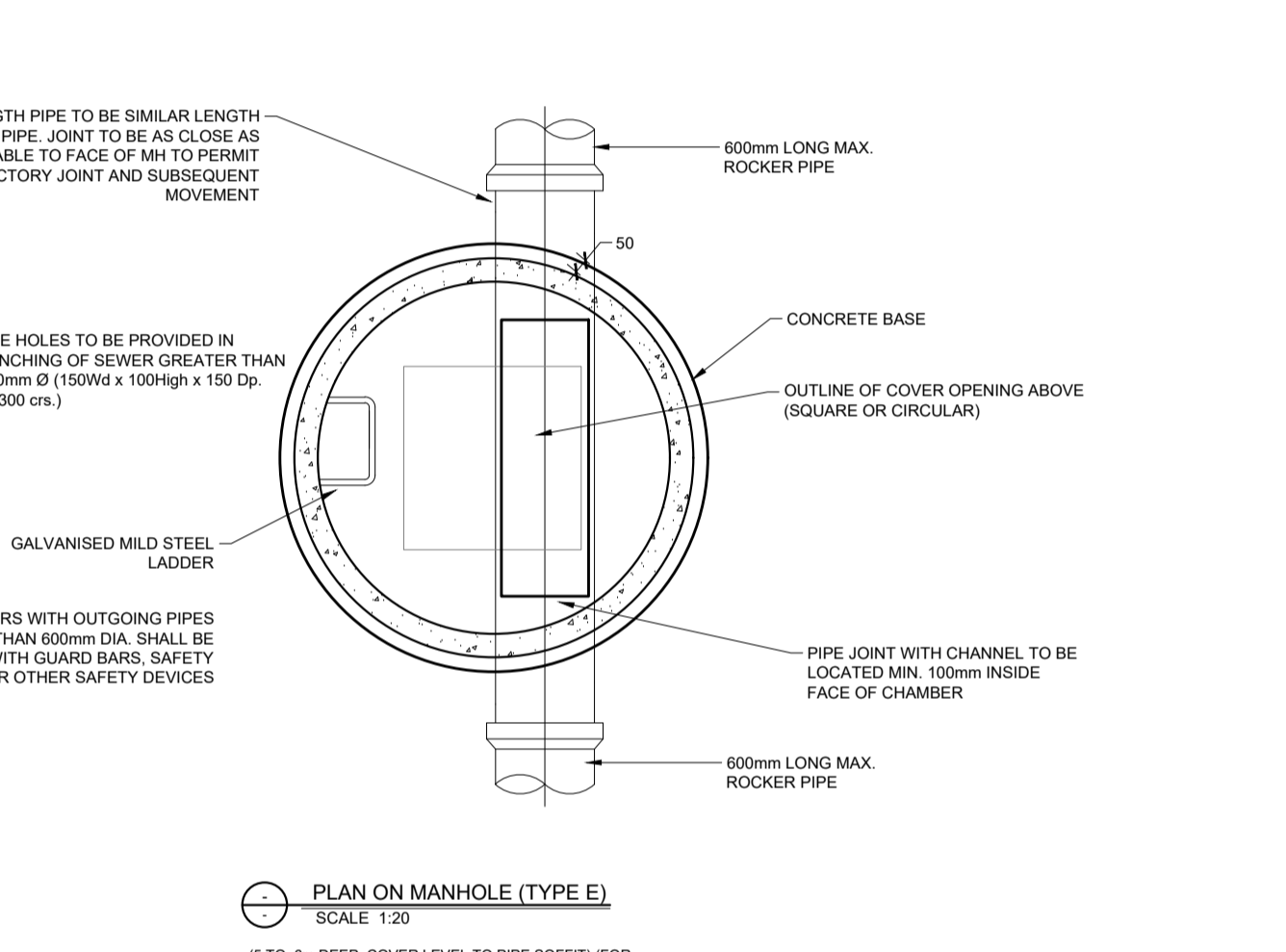
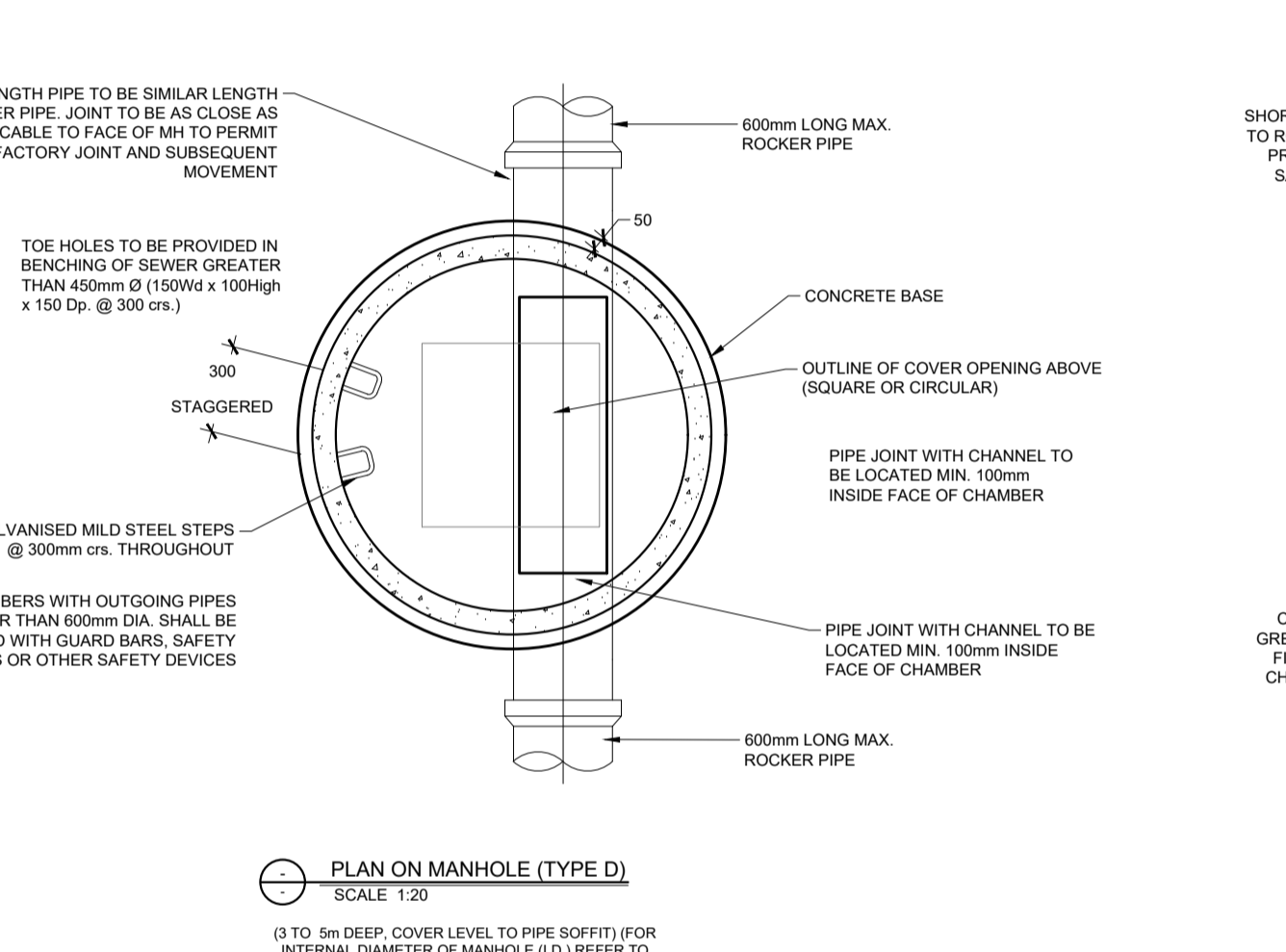
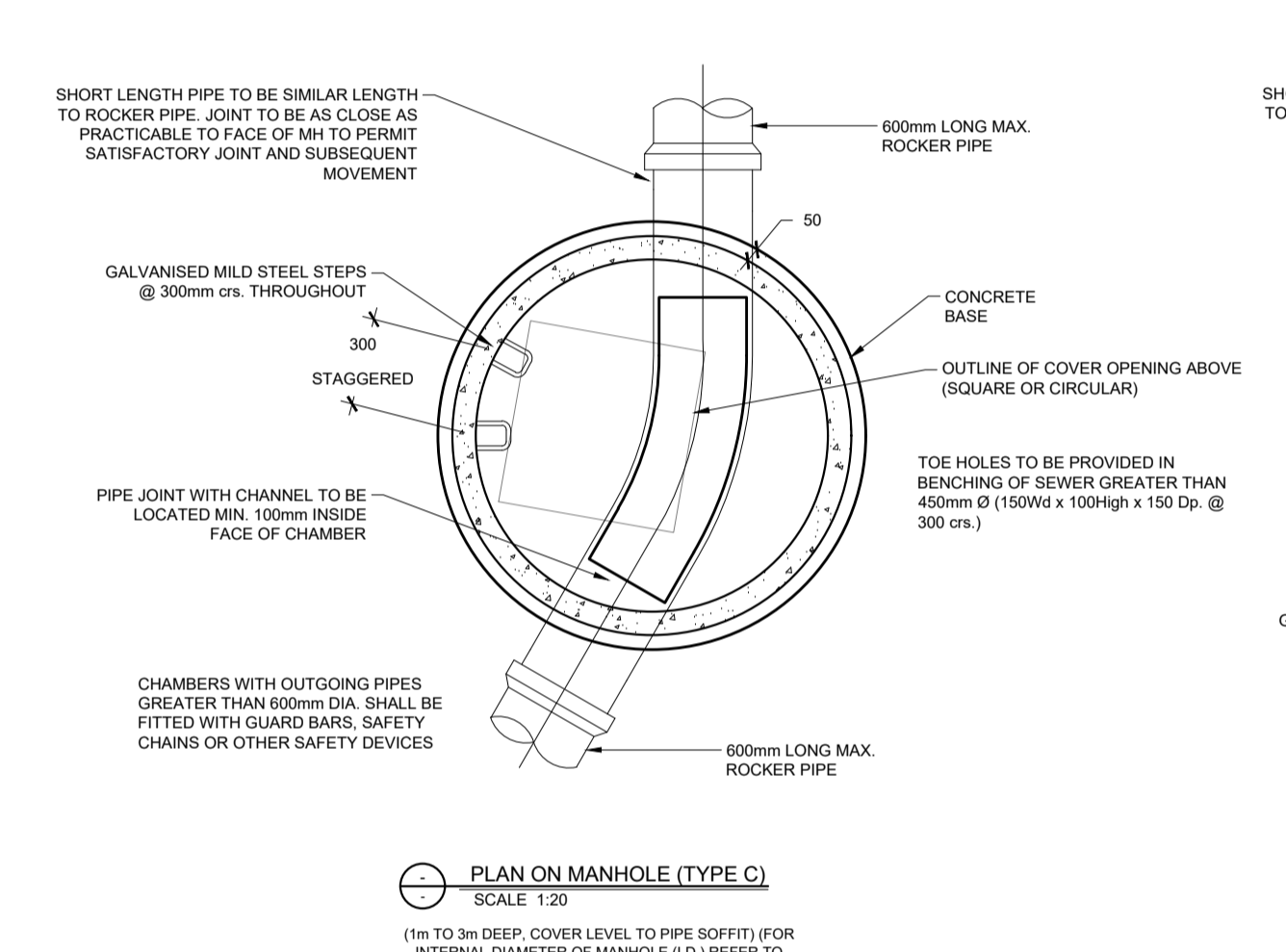
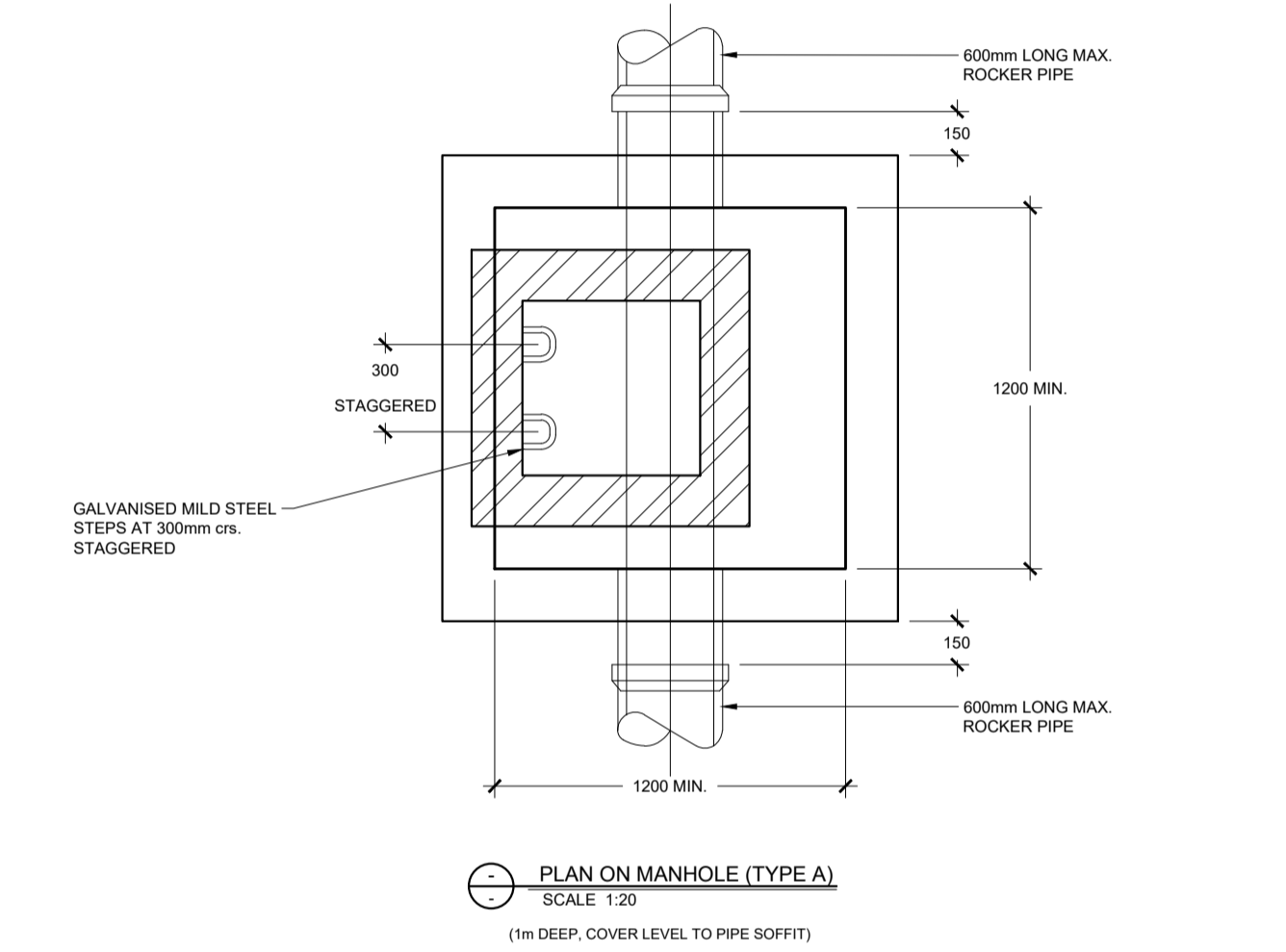
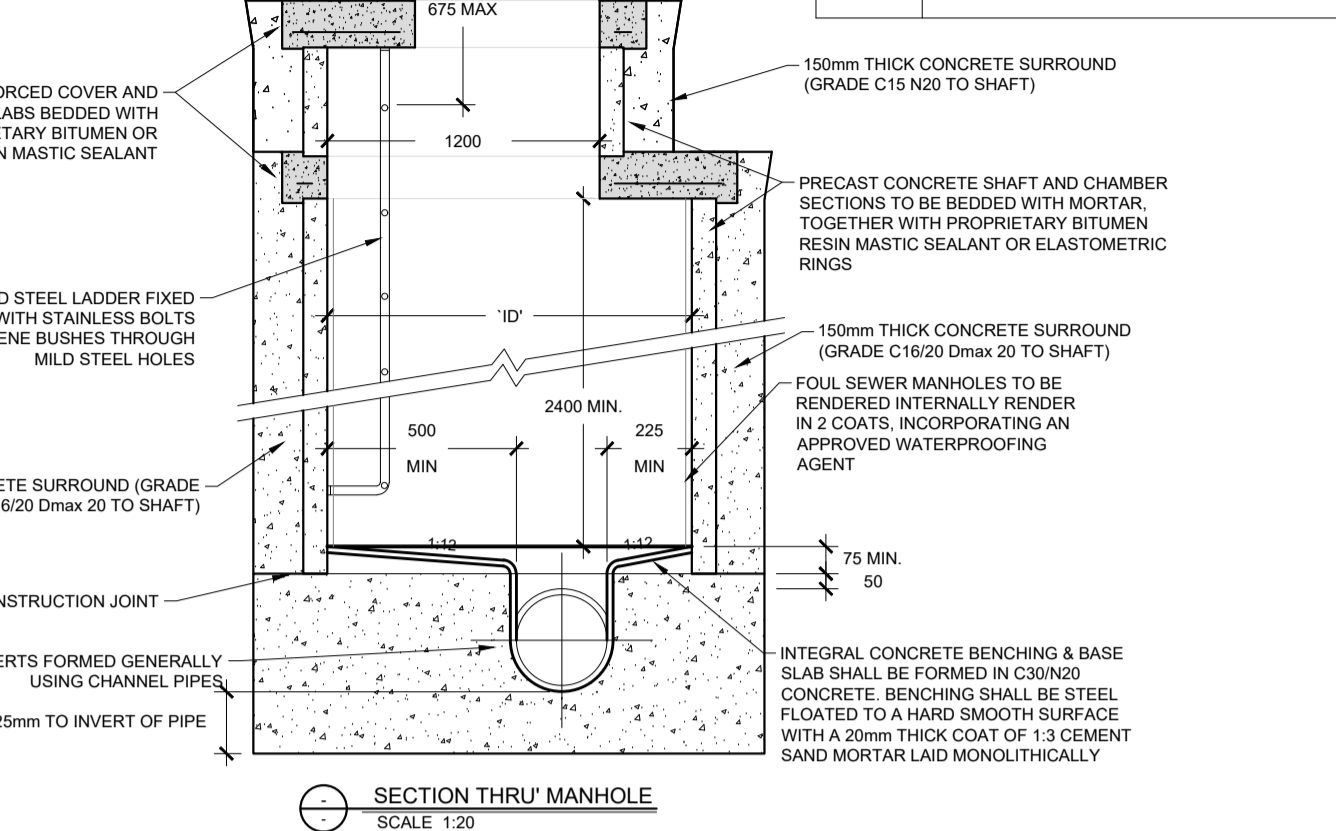
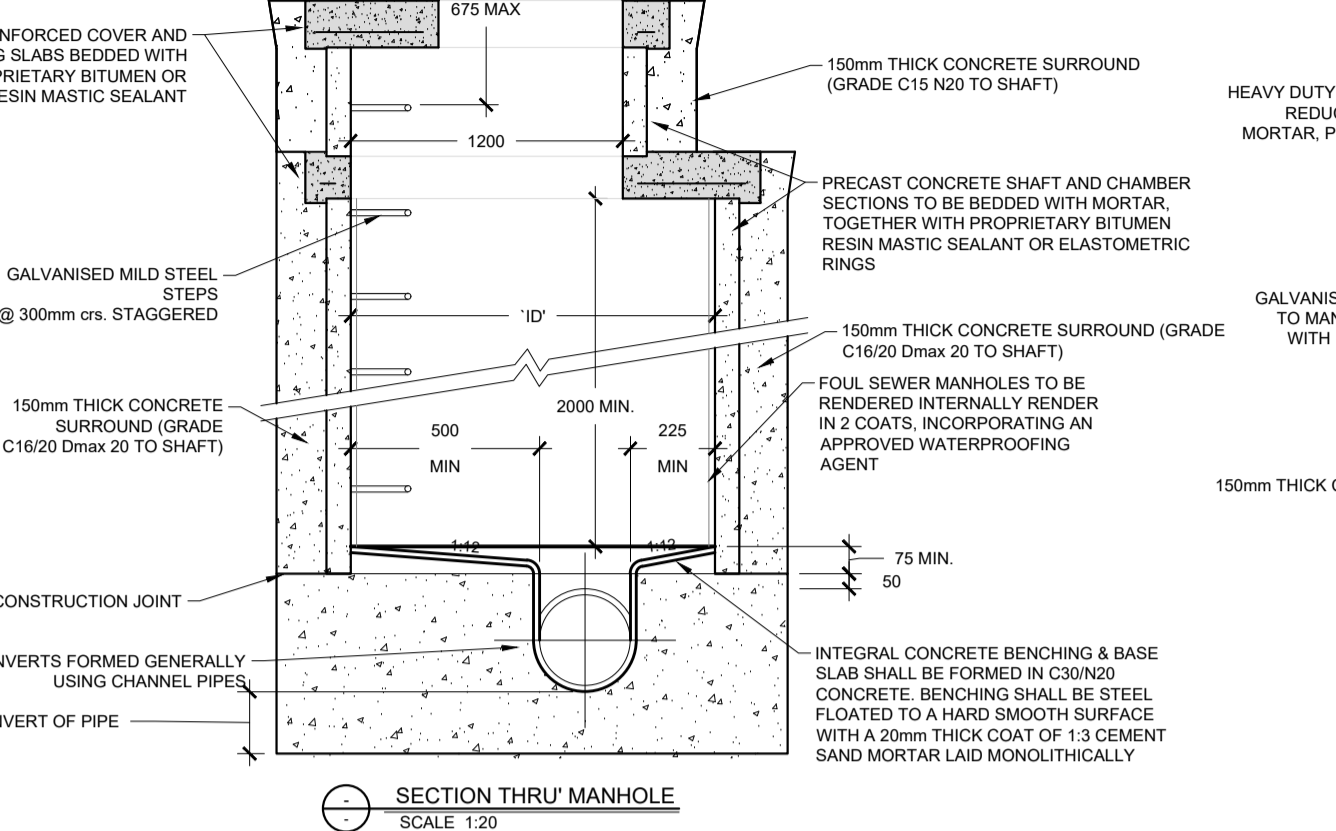
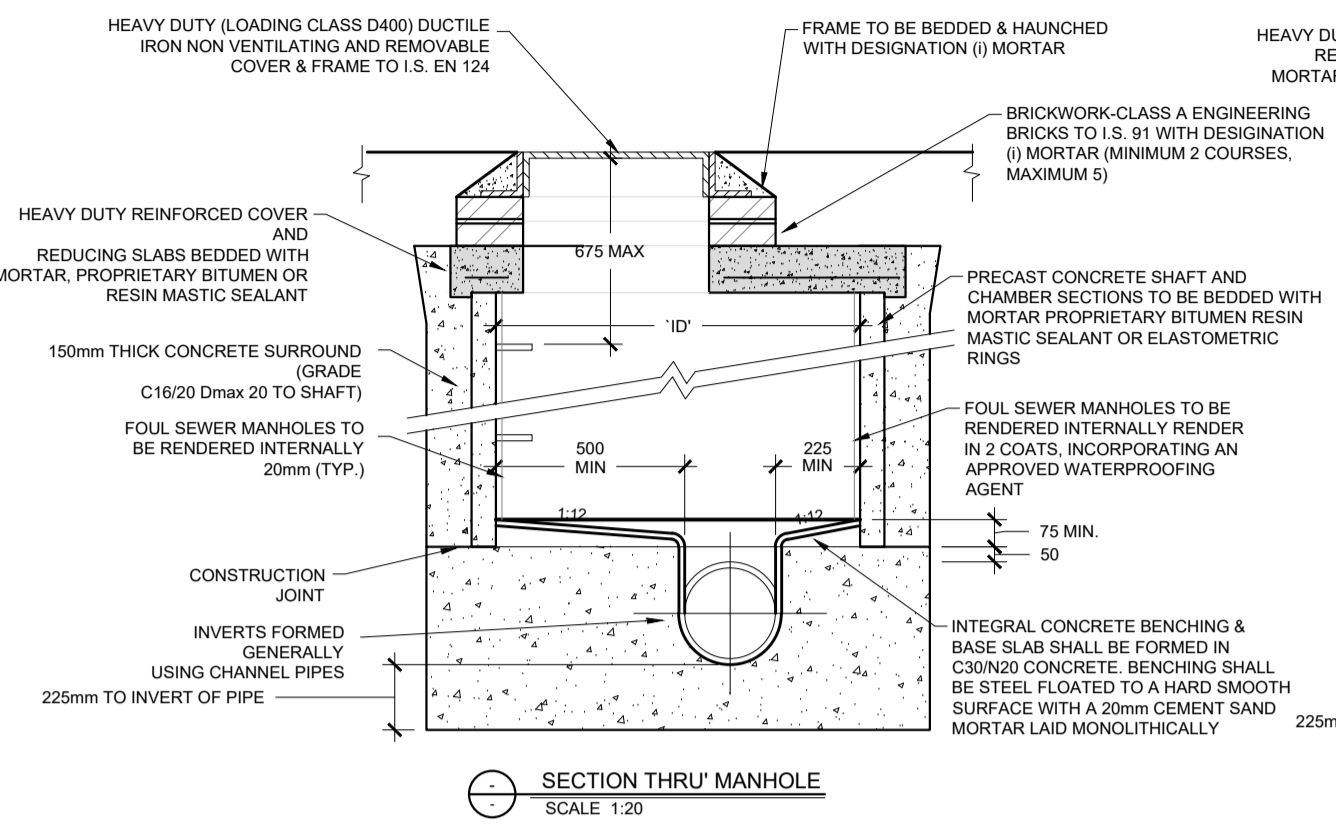
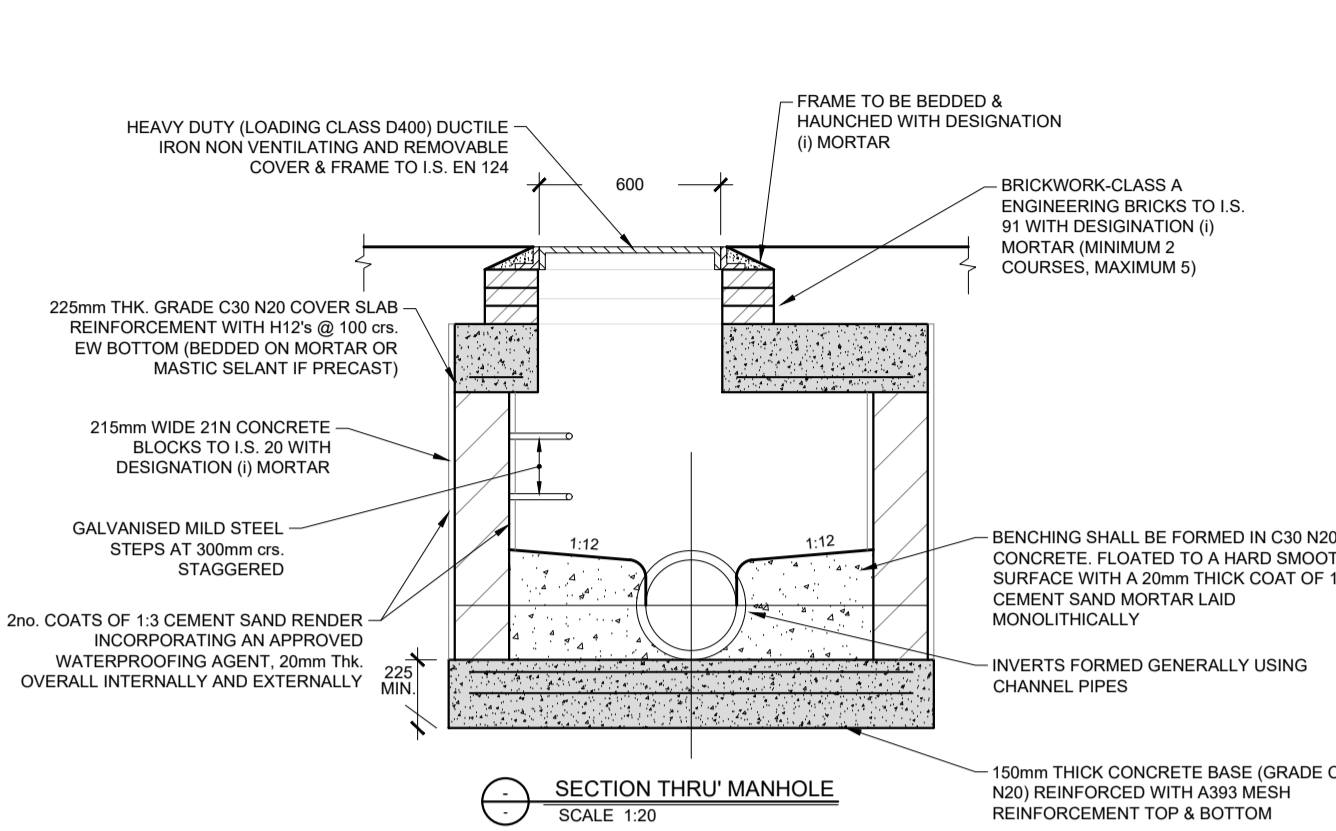
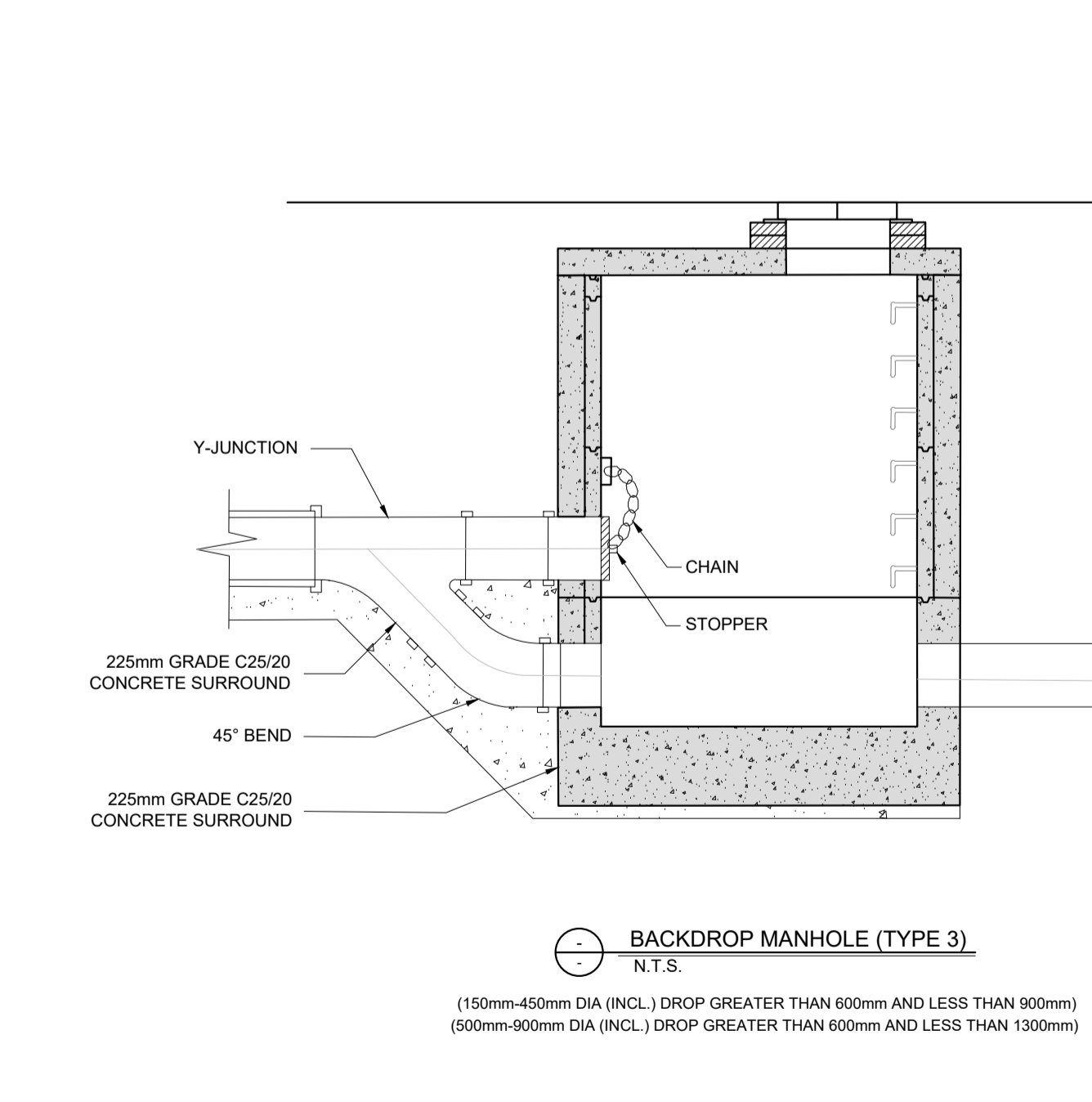
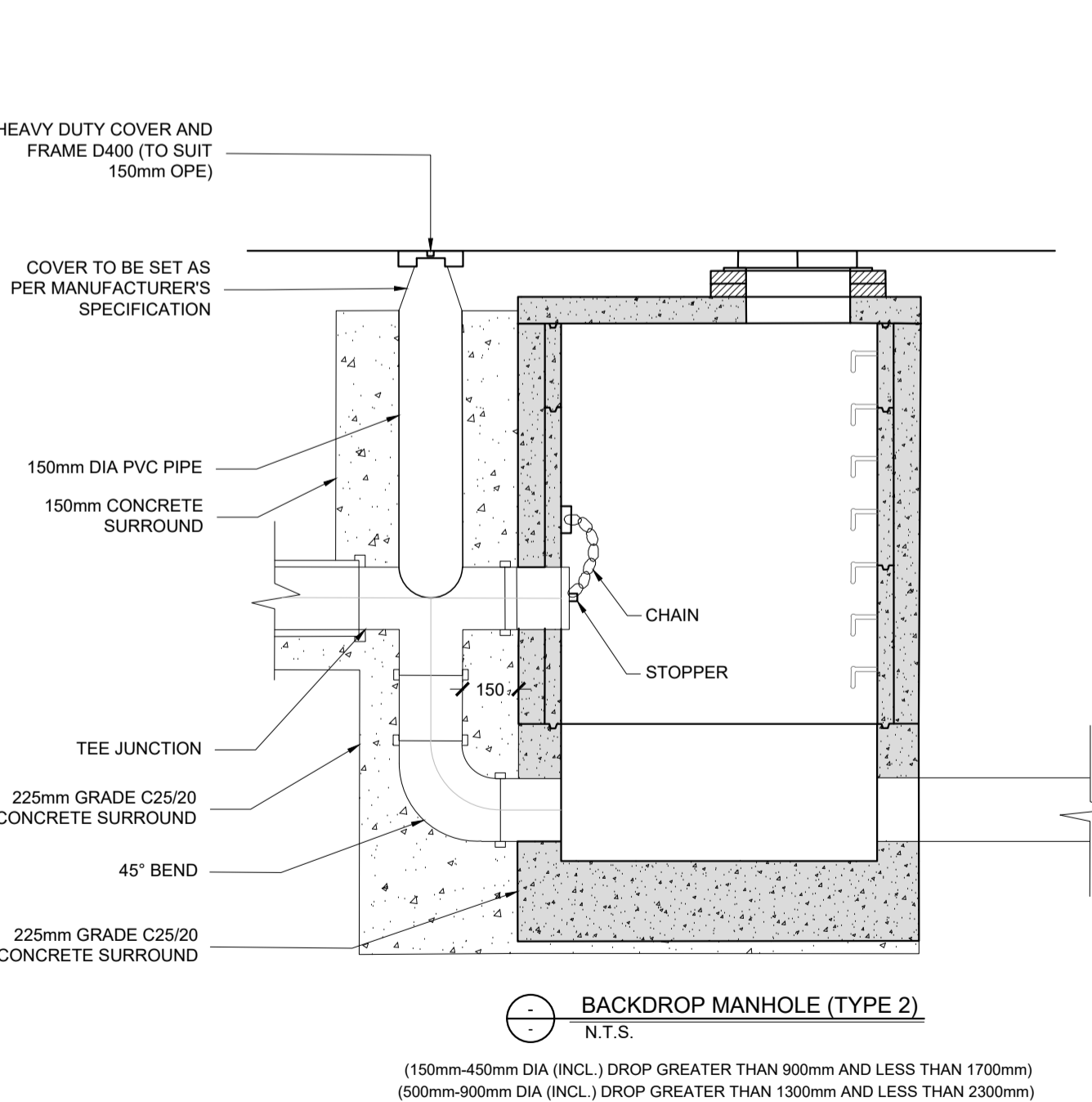
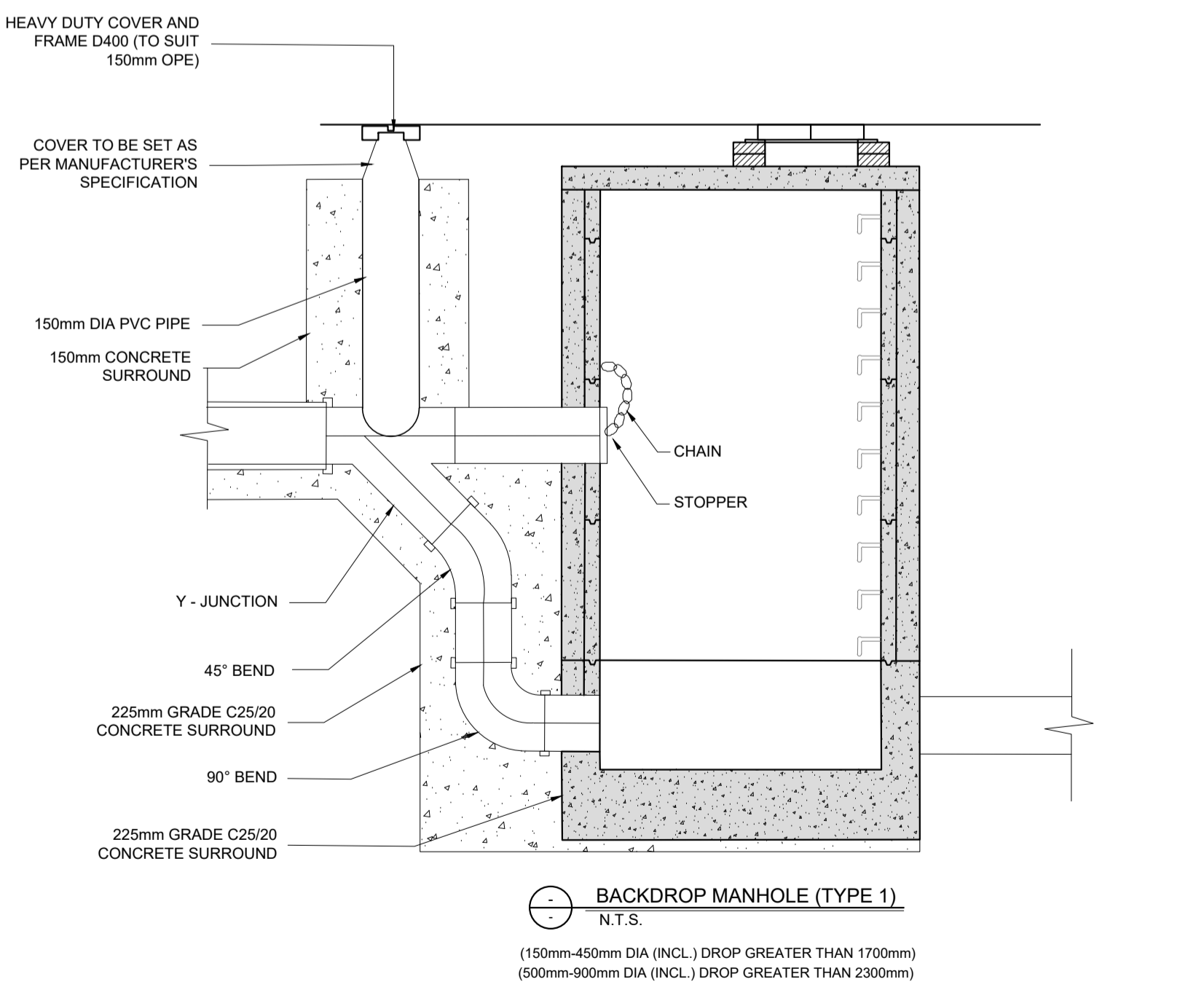


REVISION SCHEDULE					
REV. NO.	REV. DESCRIPTION	REV. DATE	DRAWN	CHECKED	
PL1	SHD PRE-PLANNING APPLICATION TO ABP	14/09/2021	JPC	KOM	
PL2	SHD APPLICATION TO ABP	04/03/2022	JPC	JFC	



PIPE Ø (mm)	MANHOLE TYPE			
	A	C	D	E
UP TO 225	1200 x 1200	12000		15000
300	1200 x 1200	12000	12000	15000
375	1200 x 1200	13500	13500	15500
450	1200 x 1200	13500	13500	15500
525	1200 x 1200	15000	15000	15000
600		15000	15000	15000
675		15000	15000	15000
750		15000	15000	15000
900		15000	15000	15000

- NOTES**
- ALL DIMENSIONS ARE IN MILLIMETRES (mm) UNLESS NOTED OTHERWISE.
 - RODDING EYE CHAMBER SHALL BE COVERED WITH APPROVED HEAVY DUTY METAL COVERS TO IS 261 AND BS 5834. COVER AND FRAME SHALL BE SUITABLE FOR ROAD AND TRAFFIC CONDITIONS AND IS SUBJECT TO THE APPROVAL OF IRISH WATER.
 - ALL CHAMBERS TO BE CHECKED FOR UPLIFT BY THE DEVELOPER BASED ON GROUND CONDITIONS WITHIN THE SITE. SHOULD ANTI FLOATATION MEASURES BE REQUIRED THEY SHALL BE SUBJECT TO APPROVAL FROM IRISH WATER.
 - ALL CONCRETE TO BE IN ACCORDANCE WITH IS EN 206.
 - MANHOLE DETAILS TO BE IN ACCORDANCE WITH IRISH WATER STANDARDS.



Drawing Stage: PLANNING	Project Details:	Notes		Drawn by:	Checked by:	Approved by:	Date:		Behan House, 10 Lower Mount St., Dublin 2, D02 HT71 Tel: +353 (0)1 661 1100 e-mail: info@cora.ie Web: www.cora.ie				
	Site Address:	1. ALL ENGINEERS DRAWINGS TO BE READ IN CONJUNCTION WITH RELEVANT DRAWINGS AND SPECIFICATIONS. 5. ALL LEVELS ARE STRUCTURAL UNLESS NOTED OTHERWISE.		JPC	KO'M	JFC	18/08/2021						
	Client:	2. ALL SETTING OUT TO ARCHITECTS DRAWINGS. 3. DO NOT SCALE FROM ENGINEERS DRAWINGS.		Project Name:		Scale:	Project Number:						
	Architect:	4. ANY DISCREPANCIES BETWEEN DRAWINGS, SKETCHES, VERBAL INSTRUCTIONS AND SITE CONDITIONS TO BE REFERRED TO THE DESIGN TEAM BEFORE WORK COMMENCES.		LORD MAYOR SHD		A.S. @ A1	2118						
M&E Designer:			Drawing Title:		Project:	Originator:	Zone:	Level:	Type:	Discipline:	Drawing No:	Stage:	Revision:
Contractor:			STANDARD DRAINAGE DETAILS SHEET 1		2118	CORA	00	ZZ	DR	C	0011	04	PL2